

Data Sheet

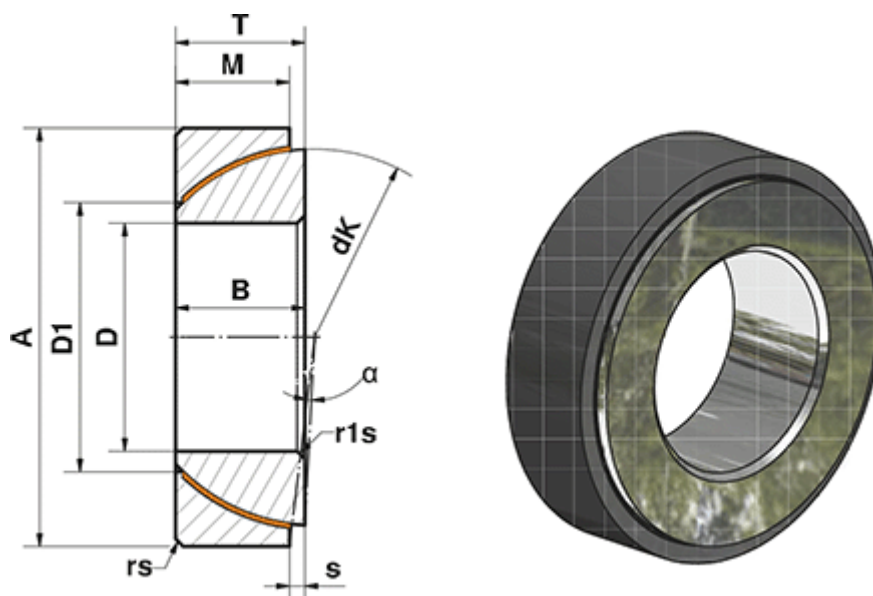


Article number: 03449120

Description: Fluro Heavy Duty Spherical Plain Bearing GE 120 SWE
Hole Ø120

Note: 120

Measures



A	= 180	rs, r1s min	= 2
a (degrees)	= 1	S	= 14.5
B	= 38	Static load C0 (kN)	= 2585
D	= 120	T	= 38
D1	= 136.5	Weight (g)	= 3970
dK	= 168		
Dynamic load C (kN)	= 1551		
M	= 37		